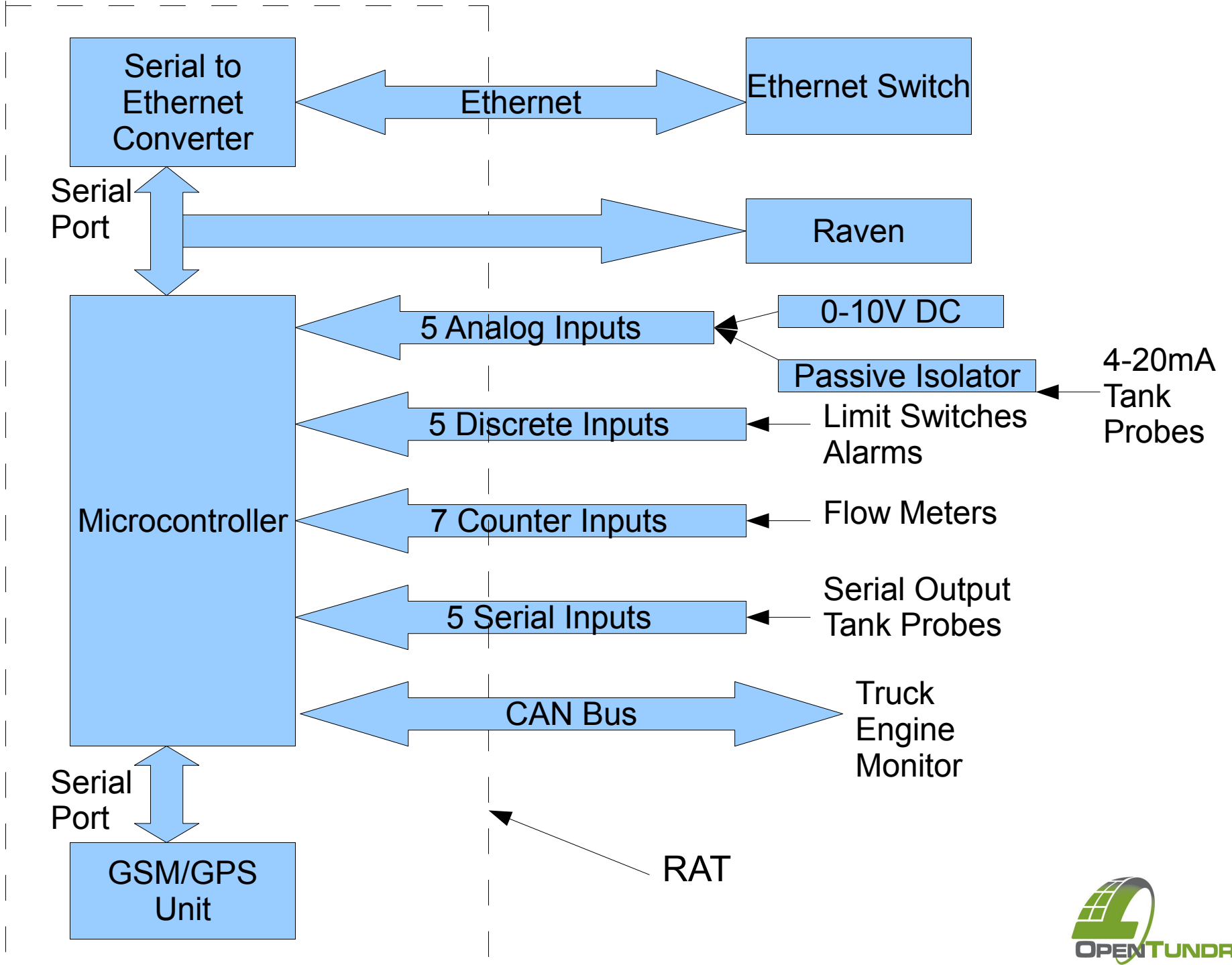
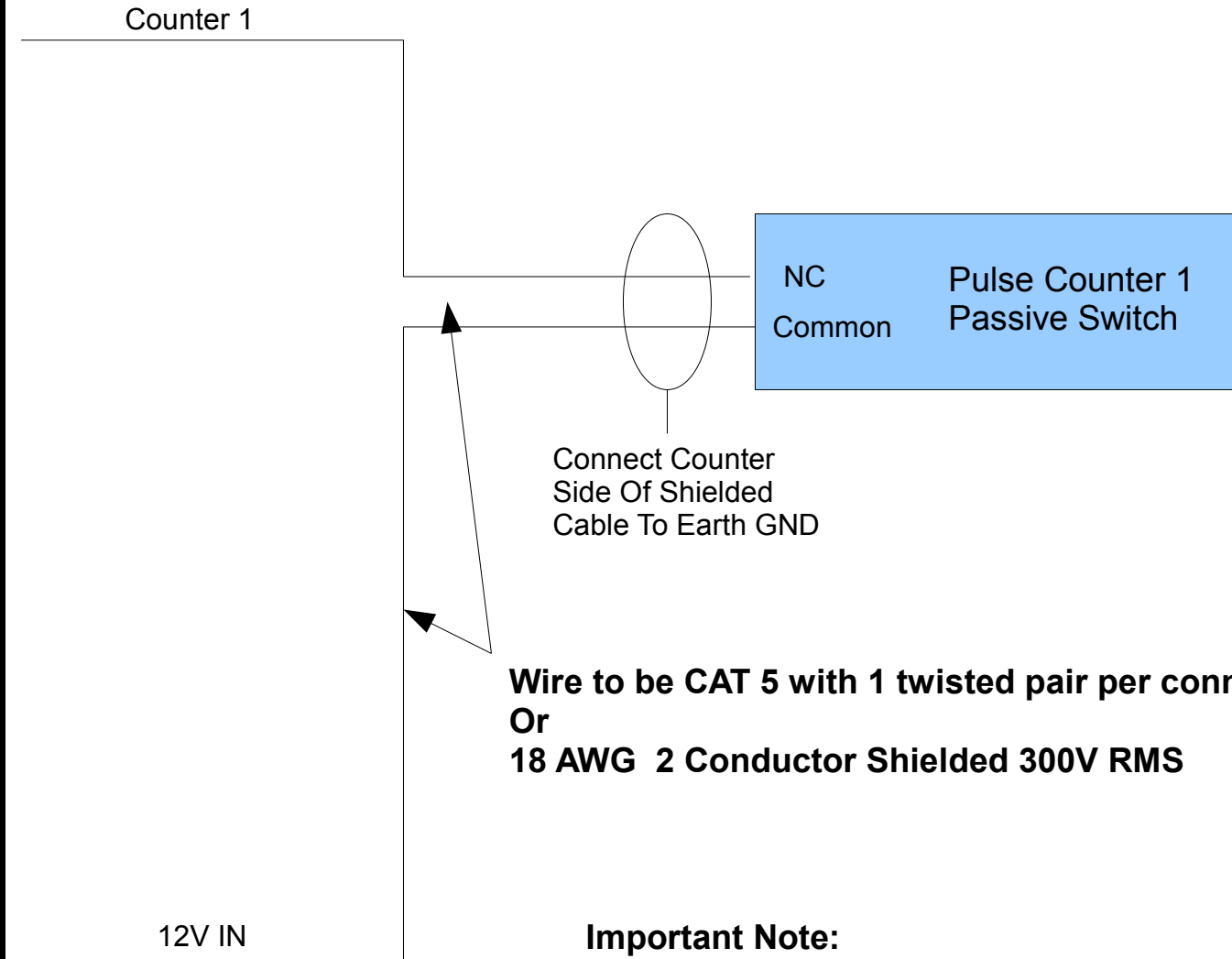
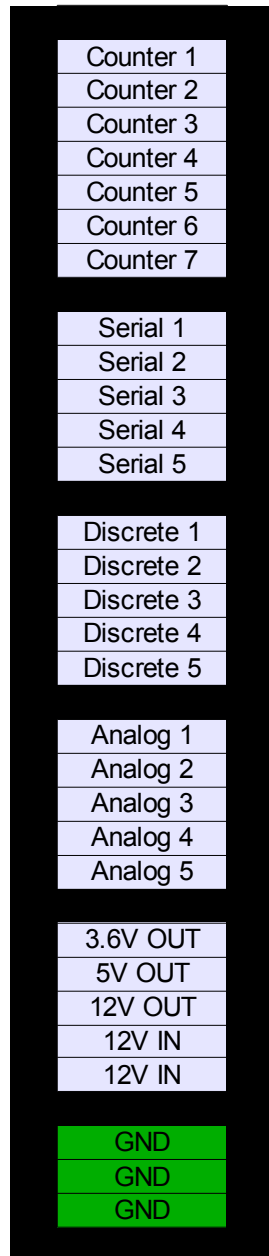


General Sensor Layout



Pulse Counter (Passive) Connection

RAT DIN Rail

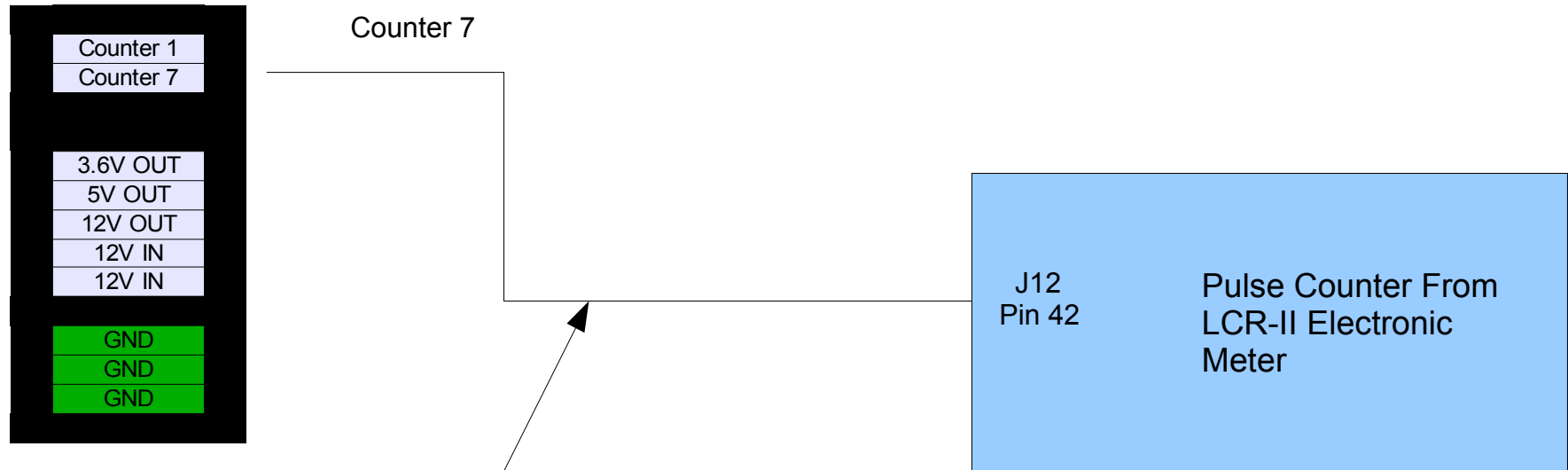


**Wire to be CAT 5 with 1 twisted pair per connection
Or
18 AWG 2 Conductor Shielded 300V RMS**

**Important Note:
AC Power and Battery + terminal connection
must be removed from the RAT before
performing any wiring terminations.**

Pulse Counter (LCR-II) Connection

RAT DIN Rail



Cable to be 18 AWG 1 Conductor 300V RMS

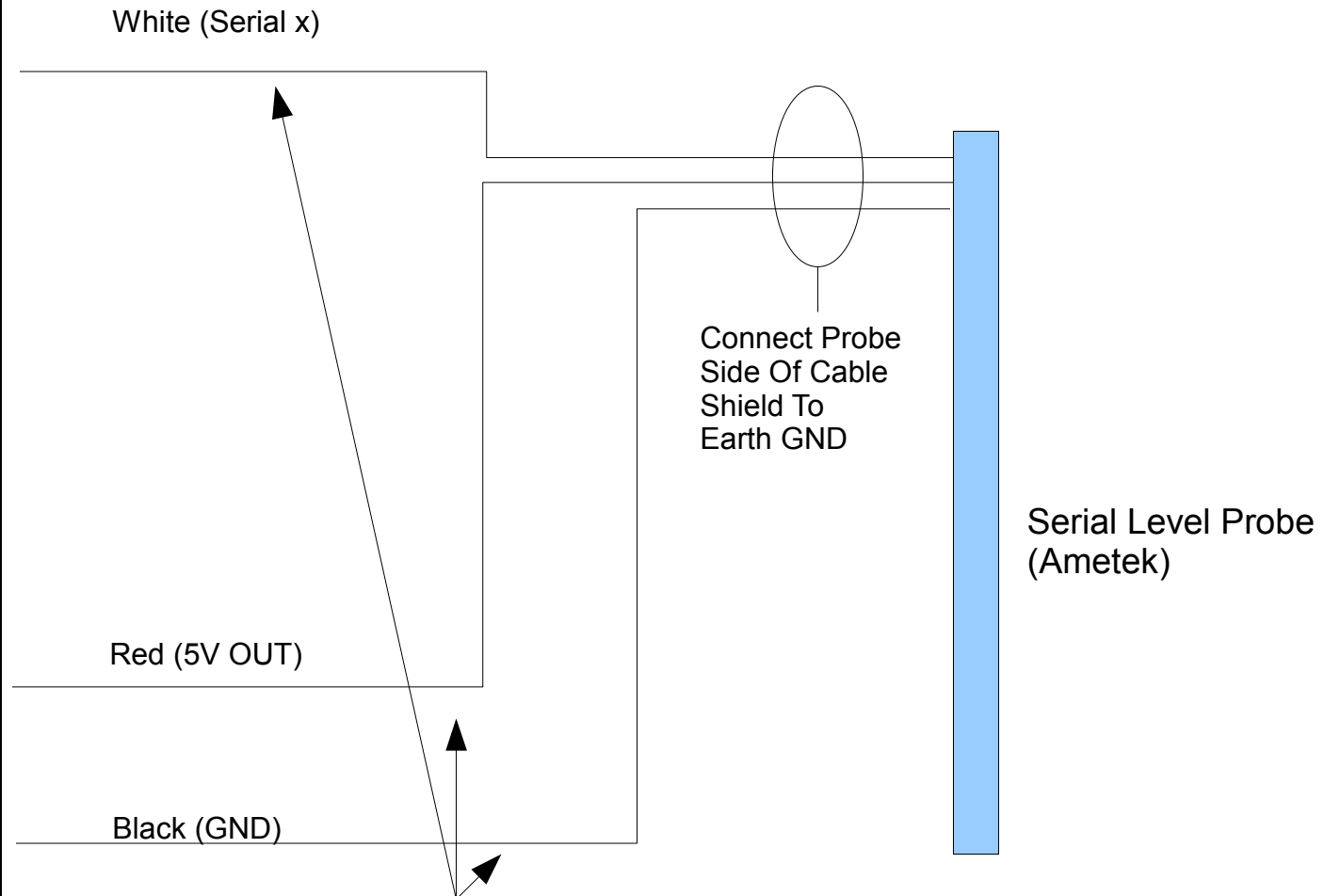
Important Note:
AC Power and Battery + terminal connection
must be removed from the RAT before
performing any wiring terminations.

Serial Probe (Ametek) Connection

RAT DIN Rail

Counter 1
Counter 2
Counter 3
Counter 4
Counter 5
Counter 6
Counter 7
Serial 1
Serial 2
Serial 3
Serial 4
Serial 5
Discrete 1
Discrete 2
Discrete 3
Discrete 4
Discrete 5
Analog 1
Analog 2
Analog 3
Analog 4
Analog 5
3.6V OUT
5V OUT
12V OUT
12V IN
12V IN
GND
GND
GND

Important Note:
AC Power and Battery + terminal connection must be removed from the RAT before performing any wiring terminations.



**Cable to be 18 AWG 3 Conductor (Black, Red and White)
Shielded 300V RMS**

RAT DIN Rail

Counter 1
Counter 2
Counter 3
Counter 4
Counter 5
Counter 6
Counter 7

Serial 1
Serial 2
Serial 3
Serial 4
Serial 5

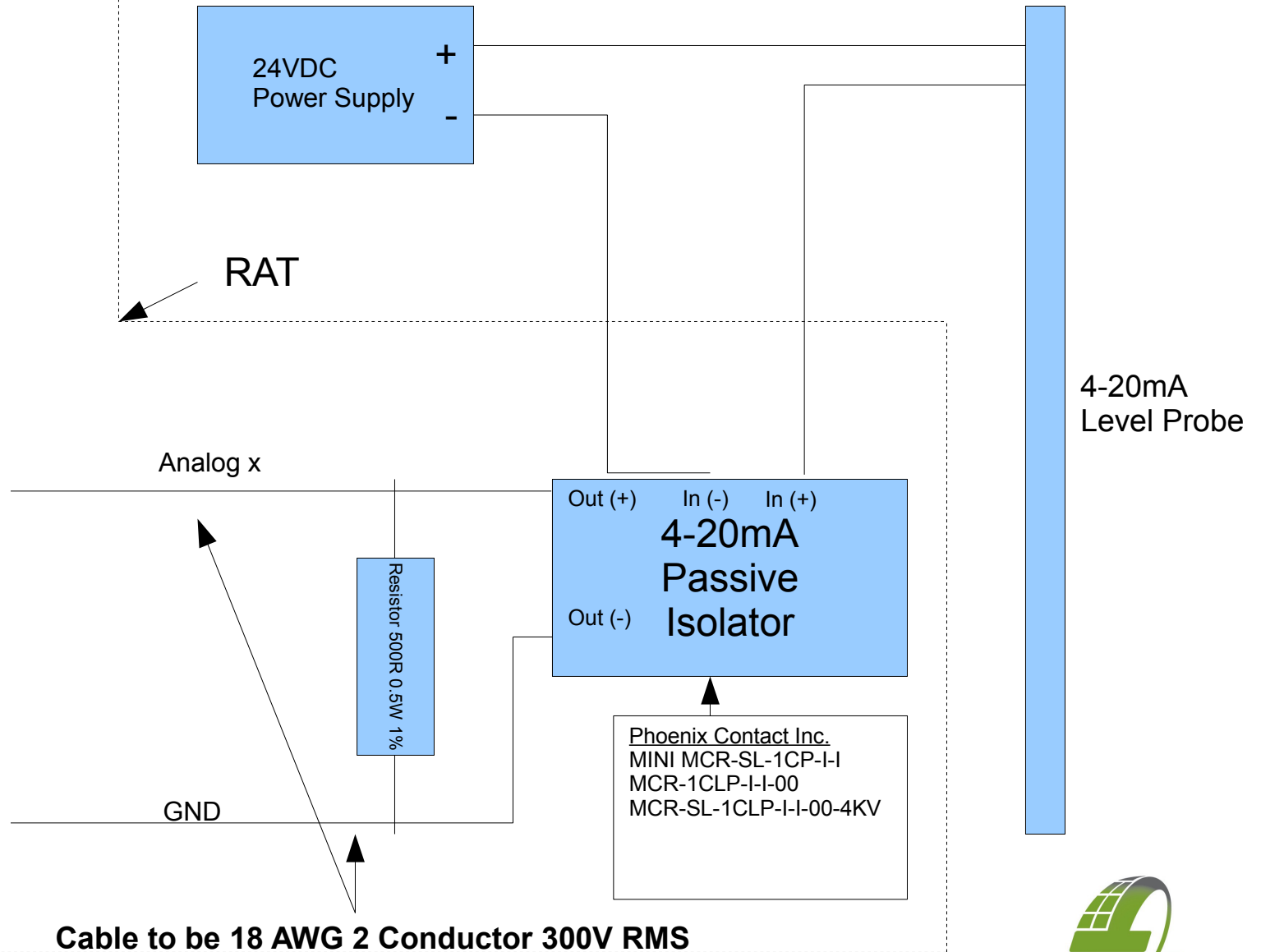
Discrete 1
Discrete 2
Discrete 3
Discrete 4
Discrete 5

Analog 1
Analog 2
Analog 3
Analog 4
Analog 5

3.6V OUT
5V OUT
12V OUT
12V IN
12V IN

GND
GND
GND

Important Note:
AC Power and Battery + terminal connection must be removed from the RAT before performing any wiring terminations.

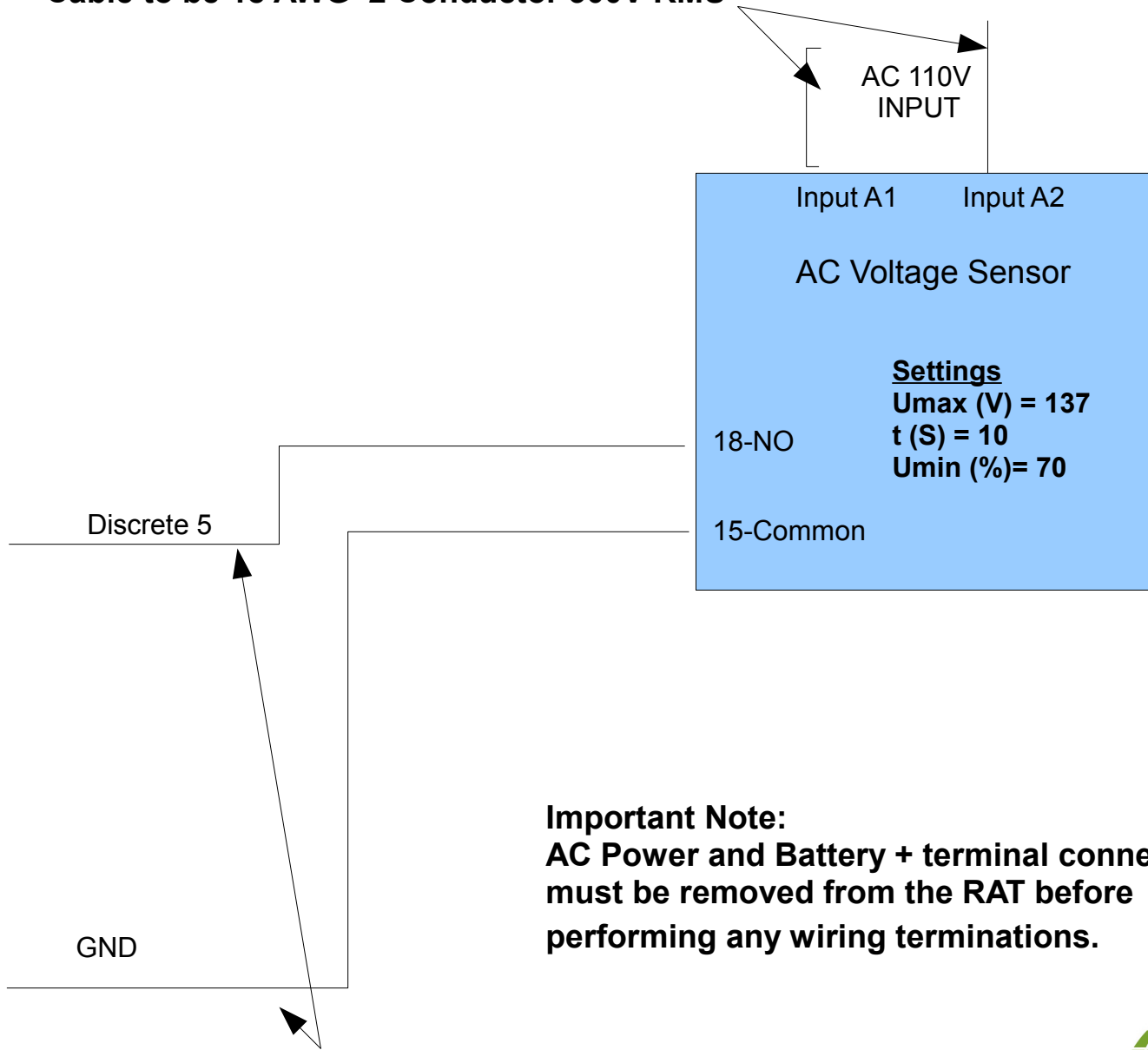


AC Voltage Sensor Connection

RAT DIN Rail

Counter 1
Counter 2
Counter 3
Counter 4
Counter 5
Counter 6
Counter 7
Serial 1
Serial 2
Serial 3
Serial 4
Serial 5
Discrete 1
Discrete 2
Discrete 3
Discrete 4
Discrete 5
Analog 1
Analog 2
Analog 3
Analog 4
Analog 5
3.6V OUT
5V OUT
12V OUT
12V IN
12V IN
GND
GND
GND

Cable to be 18 AWG 2 Conductor 300V RMS



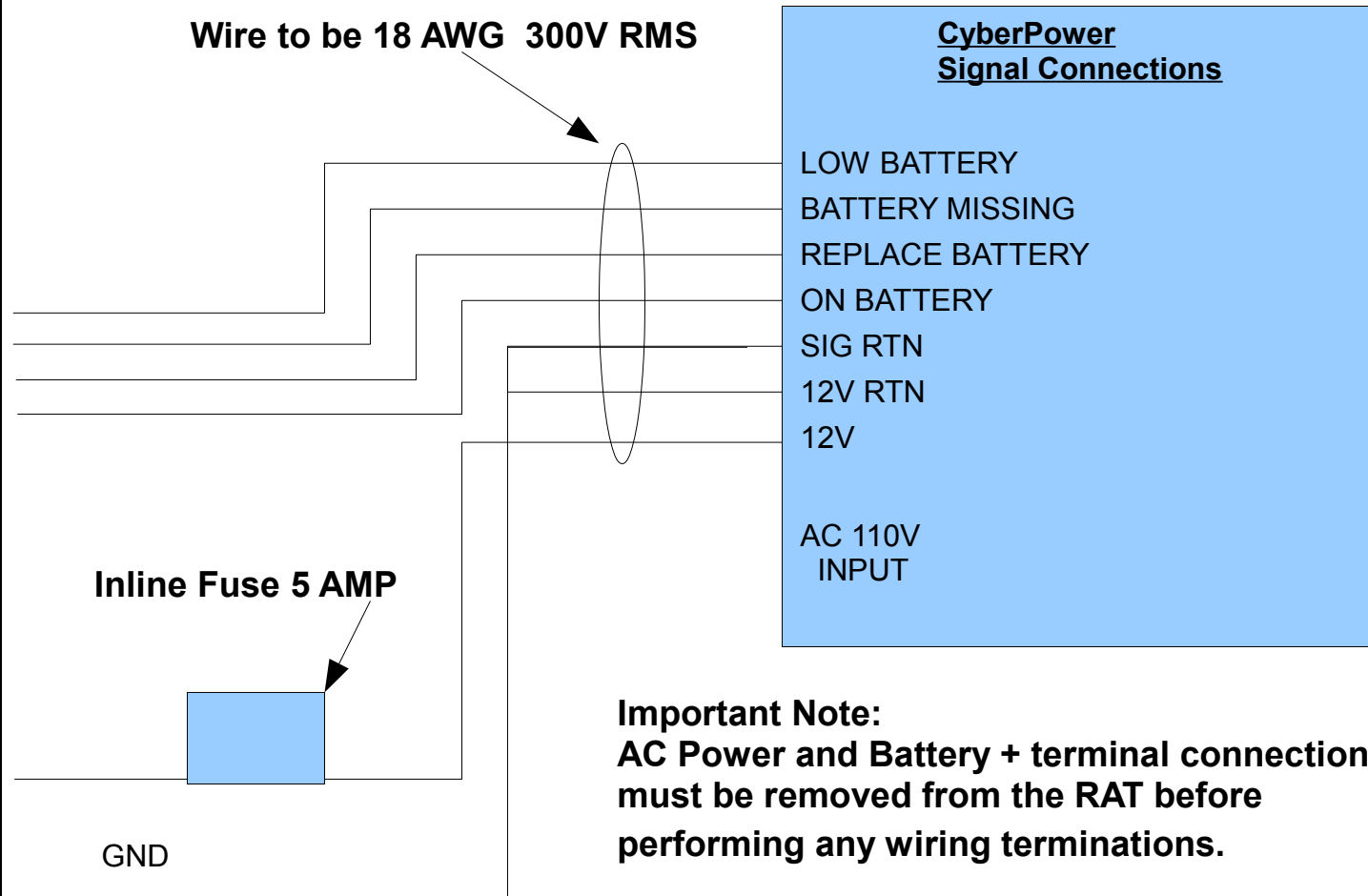
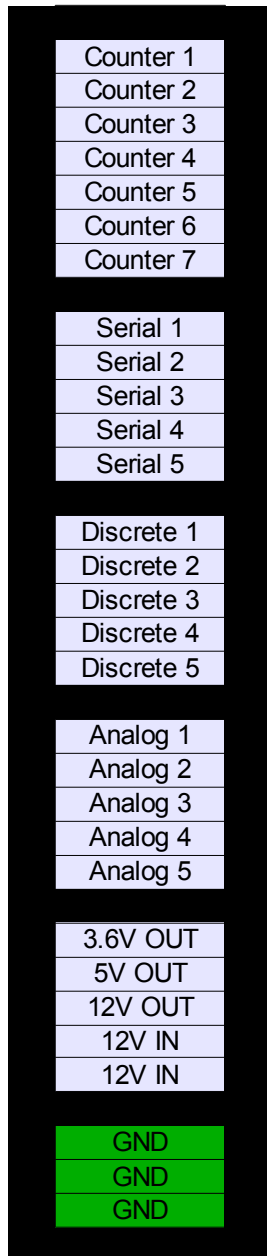
Cable to be 18 AWG 2 Conductor 300V RMS

Important Note:
AC Power and Battery + terminal connection must be removed from the RAT before performing any wiring terminations.



CyberPower Connection

RAT DIN Rail



Important Note:
AC Power and Battery + terminal connection must be removed from the RAT before performing any wiring terminations.